

# *Bruno Vertical Platform Lift*

## *Commercial Unenclosed*



*Safe and  
Reliable...*

*Convenient  
Public Access  
In Churches,  
Schools,  
Businesses  
And MORE!*



# Superior Styling



## **Commercial Unenclosed Vertical Platform Lift (VPL) From Bruno**

When a couple of feet make all the difference in the world...up to a stage, a landing, a podium...Bruno's Unenclosed Commercial VPL is the affordable solution for complete public access.

**Peace of Mind** is not bought...it is given...through the skill, dedication, and vision of proud craftsmen who design and build products to increase the independence of people around the world.

**Security** is the watchword.

**Durability** is the standard.

**Value** is the promise.

## **Commercial Unenclosed VPL Safety Features**



The entire bottom of the platform is spring sensitive, shutting the unit down if an obstruction is encountered.



Lighted Push Button Control Panel and Emergency Stop Switch with audio and visual signaling.



Optional - Top landing gate includes mechanical interlock released only with platform at the top landing.



Bruno offers added peace of mind with our battery powered Vertical Platform Lift.

Our battery powered VPL provides access in and out of your establishment even during a power outage.

# Quality Craftsmanship

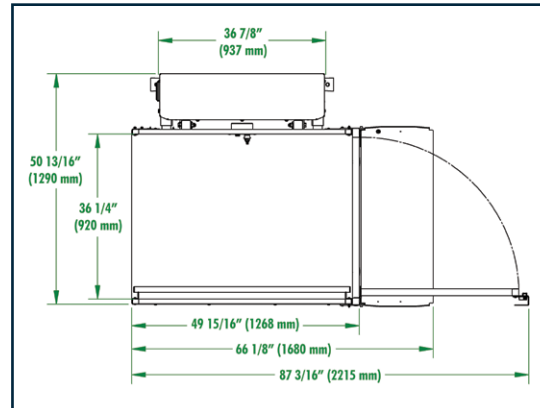
## The Bruno name has always meant trust.

Our Vertical Platform Lift (VPL) extends that promise to another category of solutions “for your independence”.

**For the consumer** who insists upon performance and reliability, the Bruno VPL-3300B offers the perfect solution for your church, school or business.

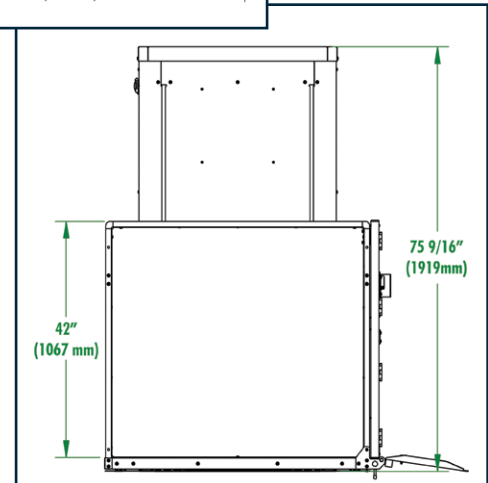
## Performance

With a rated weight capacity of 750 lb (340 kg), Bruno’s Vertical Platform Lift can handle virtually any power wheelchair or scooter and occupant. Its rugged dependability and powerful performance provide complete confidence.



Dimensions shown are for the standard platform size.

\*optional platform sizes and configurations available.



Dimensions shown are for the model VPL-3353B

\*For detailed specifications and dimensions go to [www.bruno.com](http://www.bruno.com).

## Commercial Unenclosed VPL Options



Optional keyed call/send controls offer additional security and ease of operation.



Stay dry with an optional Canopy! It can be retrofitted for previously installed units. (not available for 90° platform or 42" X 60" (1067 mm X 1524 mm straight through platform))



Optional Door or Gate Operator can be fitted to most doors and gates for power-assisted operation.



Optional ADA Emergency Communication Phone with battery backup

# Commercial Unenclosed Vertical Platform Lift VPL-3300B Series Specifications

## Standard Features

- Automatic self-lowering folding ramp
- Weather protected controls
- 750 lb (340 kg) lifting capacity
- 53" (1364 mm) maximum floor to floor height (Model VPL-3353B)
- 60" (1524 mm) maximum floor to floor height. 28" (711 mm) minimum floor to floor height is required (Model VPL-3375B) (60" (1524 mm) max. travel for unenclosed applications per ASME A18.1 Sec. 2)
- Lighted Push Button Control Panel and Emergency Stop Switch with audio and visual signaling.
- Welded steel tubular guide construction with formed 16 GA sheet steel guarding
- Totally enclosed formed-steel bottom safety pan
- Acme screw drive, with backup safety nut

- Platform gate
- Weather resistant powder coated paint throughout; platform and landing gates are also e-coated for maximum protection
- Non-skid surface on platform and ramp
- Bruno's Gold Warranty – Two years on major components and one year on parts

## DC Battery Powered Unit VPL-3300B Series



- 1/2 hp motor, 1750 rpm, 24VDC
- 5A, 24VDC output battery charger, 120VAC, 60Hz, 5A max input power required
- Standard 17AH batteries included
- ETL-INTERTEK C-US listed

## Optional Equipment

- Top landing gate includes call/send controls with key and mechanical interlock (released only when platform is at top landing)
- Tool for manual lowering device
- Landing call/send station with key switch
- 90° Platform (adjacent exit at top landing)
- Paddle controls
- Platform canopy
- Cold weather package (heating kit)
- Pit Switch
- ADA Compliant Phone with battery backup
- Automatic Door/Gate Operator
- Optional 34AH batteries

Ask us about our other...

Home accessibility solutions and automotive products



**ELITE**  
Model SRE-2010



**ELITE CURVE**  
Model CRE-2110



**VEHICLE LIFTS**



**VALET® SIGNATURE SEATING**

Represented by:

IPO  
BMPSBVMWBUPS



**BRUNO INDEPENDENT LIVING AIDS, INC.®**  
1780 Executive Drive, P.O. Box 84, Oconomowoc, WI 53066  
www.bruno.com

